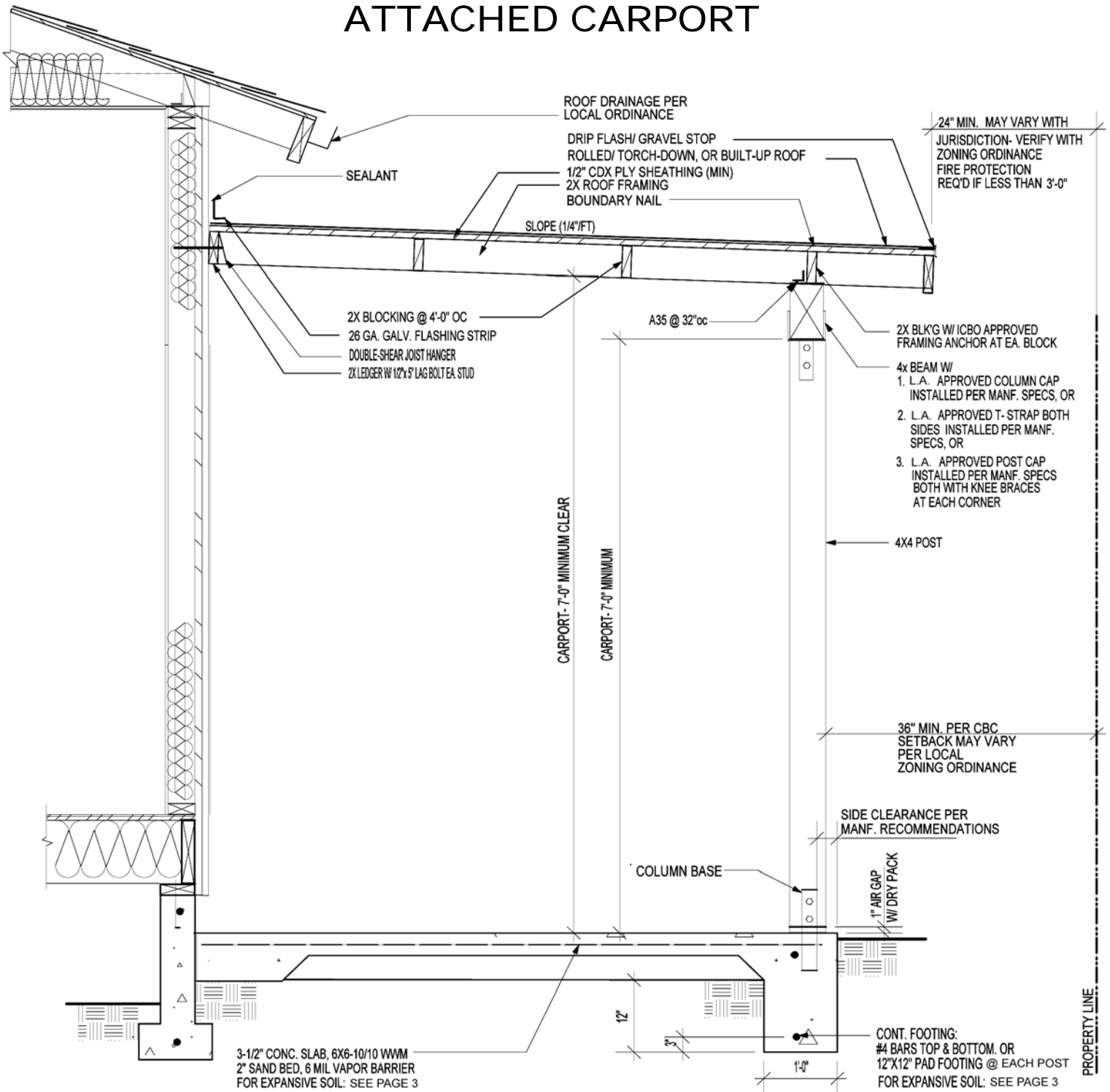
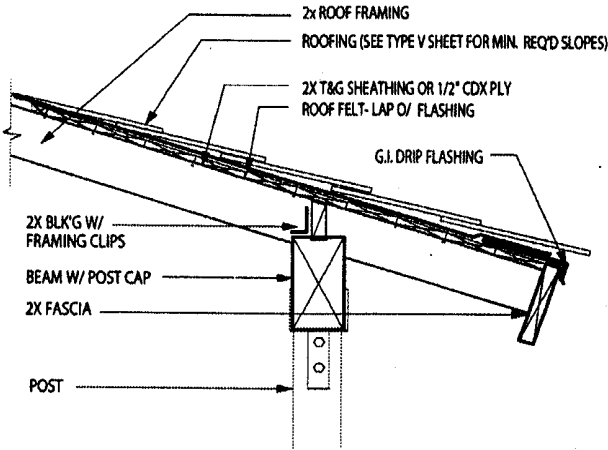


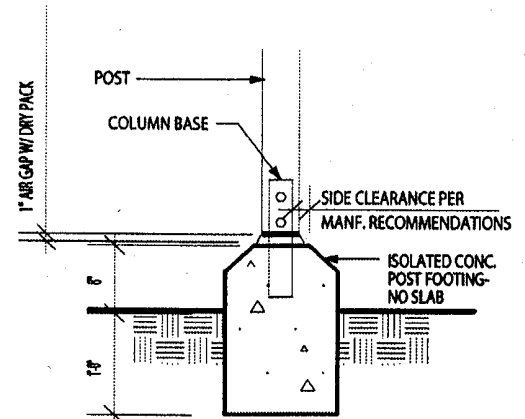
ATTACHED CARPORT



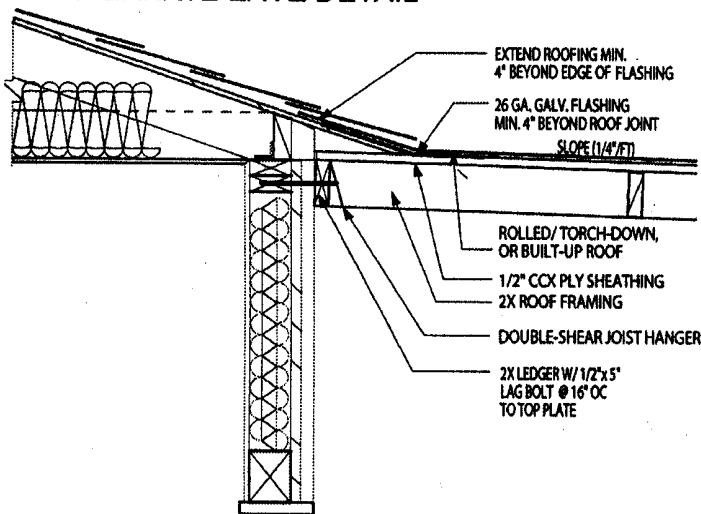
LARUCP/ CARPORT6/2001



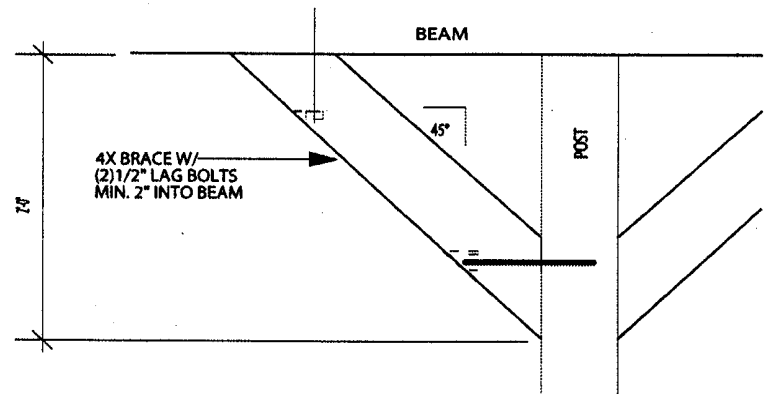
ALTERNATE EAVE DETAIL



ALT. FOOTING DETAIL



ALTERNATE CONNECTION DETAIL



KNEE BRACE DETAIL

ALLOWABLE SPANS FOR DF#1 HEADERS Maximum span of tributary load: 20'-0"		ALLOWABLE SPANS FOR DF #2 ROOF RAFTERS Light Dead Load (up to 15 psf) Max. Roofing Load: 6 psf (Asphalt Shingles) Live Load: 20 psf			ALLOWABLE SPANS FOR DF #2 CEILING JOISTS Dead Load: 10 psf Live Load: 10 psf		
SPAN	BEAM SIZE	RAFTER SIZE	SPACING	ALLOWABLE SPAN	JOIST SIZE	SPACING	ALLOWABLE SPAN
Up to 4'-0"	4x4				2x4	24"	9'-10"
						16"	11'-3"
4'-1" to 6'-0"	4x6	2x6	24"	8'-8"	2x6	24"	15'-6"
			16"	10'-8"		16"	17'-8"
			12"	12'-4"		12"	19'-6"
6'-1" to 8'-0"	4x8	2x8	24"	11'-0"	2x8	24"	20'-5"
			16"	13'-5"		16"	23'-4"
			12"	15'-6"		12"	25'-8"
8'-1" to 10'-0"	4x10	2x10	24"	14'-0"	2x10	12"	26'-0"
			16"	17'-2"			
			12"	19'-10"			
10'-1" to 12'-0"	4x12 *	2x12	24"	17'-0"			
			16"	20'-10"			
			12"	24'-1"			

* 4x12 DF No. 1 may be used over a 16'-0" garage door in one-story open patio or carport structures

Type V Construction is a classification of buildings by construction materials and methods. It is the least restrictive permitted by the Uniform Building Code and includes light, wood-frame construction. These sheets are for information and reference only and is not a substitute for accurate drawings prepared for each proposed construction project.

FOOTINGS ON EXPANSIVE SOILS

Footing systems on expansive soil shall be constructed in a manner that will minimize damage to the structure from movement of the soil.

1. Depth of footings below the natural and finished grades shall not be less than 24 inches for exterior and 18 inches for interior footings.
2. Exterior walls and interior bearing walls shall be supported on continuous footings.
3. Footings shall be reinforced with four 1/2-inch diameter deformed reinforcing bars. Two bars shall be placed 4 inches from the bottom of the footing and two bars within 4 inches from the top of the footing.
4. Concrete floor slabs on grade shall be placed on a 4-inch fill of coarse aggregate or on a moisture barrier membrane. The slabs shall be at least 3-1/2 inches thick and shall be reinforced with 1/2" diameter deformed reinforcing bars. Reinforcing bars shall be spaced at intervals not exceeding 16 inches each way.
5. The soil below an interior concrete slab shall be saturated with a moisture to a depth of 18 inches prior to placing the concrete.