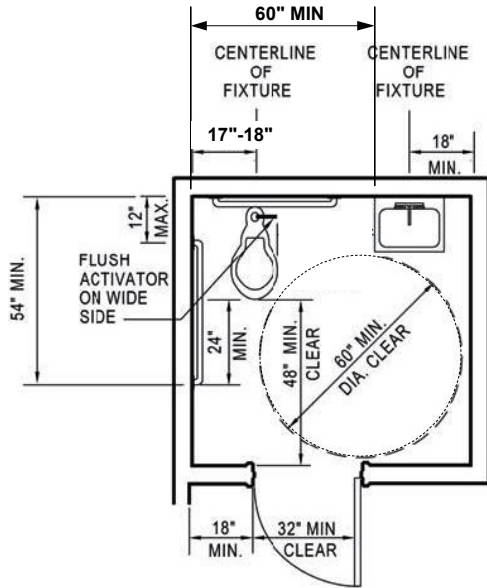
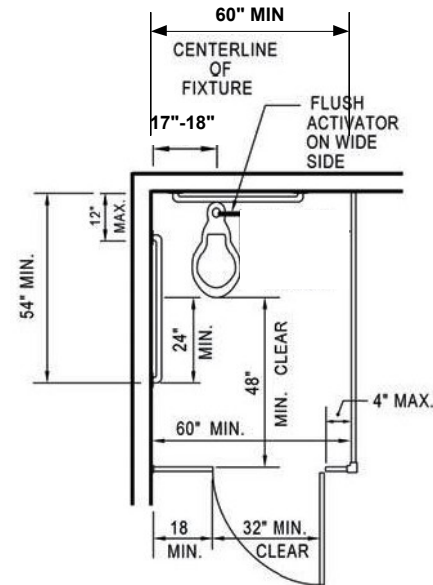


ACCESSIBILITY DETAILS FOR RESTROOMS AND DRINKING FOUNTAINS

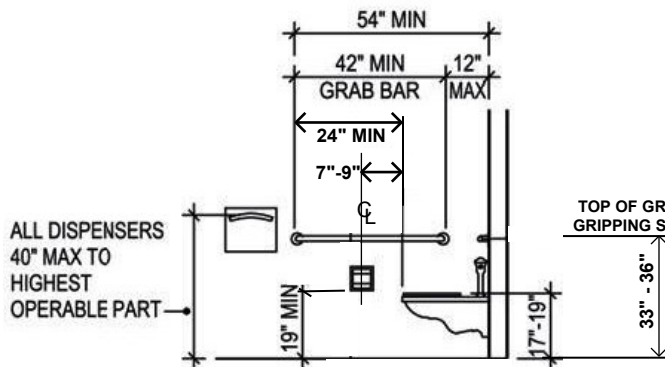


SINGLE-ACCOMMODATION TOILET FACILITY



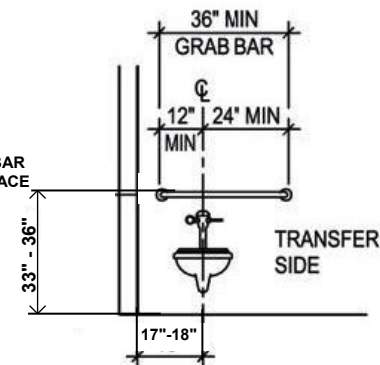
**ACCESSIBLE WATER CLOSET COMPARTMENT WITHIN
A MULTIPLE-ACCOMMODATION TOILET FACILITY**

Doors shall not swing into the clear floor space or clearance required for any fixture. Other than the door to the accessible water closet compartment, a door in any position, may encroach into the turning space by 12 inches maximum. (11B-603.2.3)
 Exceptions: (2) Where the toilet room or bathing room is for individual use and a clear floor space complying with Section 11B-305.3 is provided within the room beyond the arc of the door swing, doors shall be permitted to swing into the clear floor space or clearance required for any fixture.



**FIGURE 11B-604.7
DISPENSER OUTLET LOCATION**

**FIGURE 11B-604.5.1
SIDE WALL GRAB BAR AT WATER CLOSETS**



**FIGURE 11B-604.5.2
REAR WALL GRAB BAR AT WATER CLOSETS**

THESE DIAGRAMS ILLUSTRATE THE SPECIFIC REQUIREMENTS OF THESE REGULATIONS AND ARE INTENDED ONLY AS AN AID FOR BUILDING DESIGN AND CONSTRUCTION.

As a covered entity under Title II of the Americans with Disabilities Act, the City of Los Angeles does not discriminate on the basis of disability and, upon request, will provide reasonable accommodation to ensure equal access to its programs, services and activities.

THESE DIAGRAMS ILLUSTRATE THE SPECIFIC REQUIREMENTS OF THESE REGULATIONS AND ARE INTENDED ONLY AS AN AID FOR BUILDING DESIGN AND CONSTRUCTION.

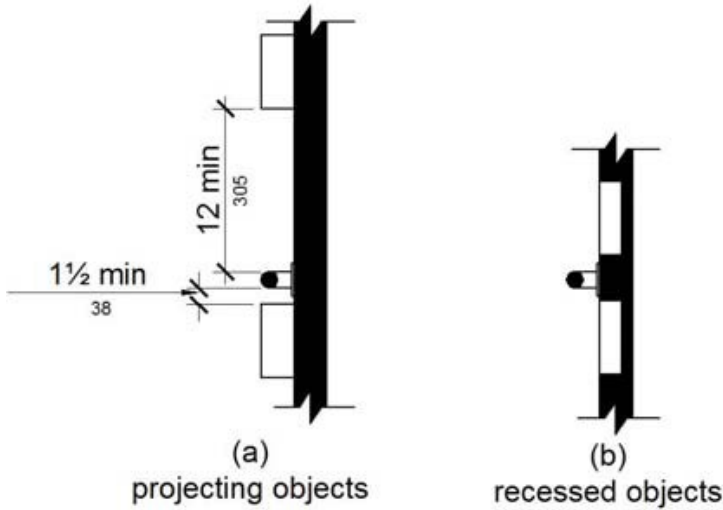


FIGURE 11B-609.3
SPACING OF GRAB BARS

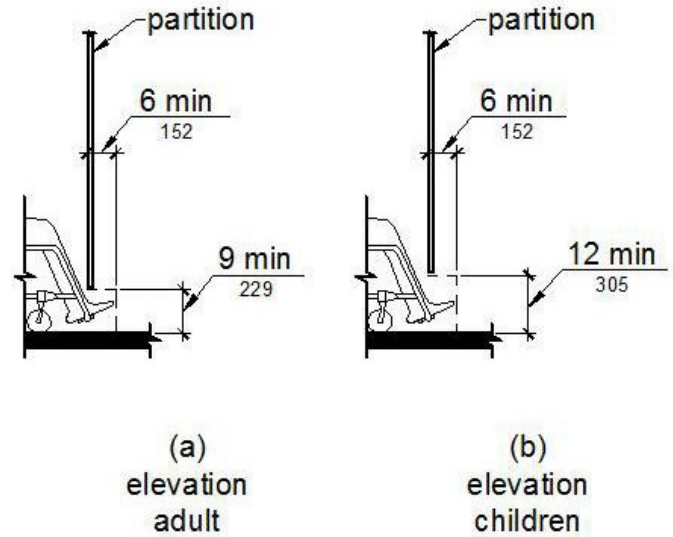


FIGURE 11B-604.8.1.4
WHEELCHAIR ACCESSIBLE TOILET COMPARTMENT TOE CLEARANCE

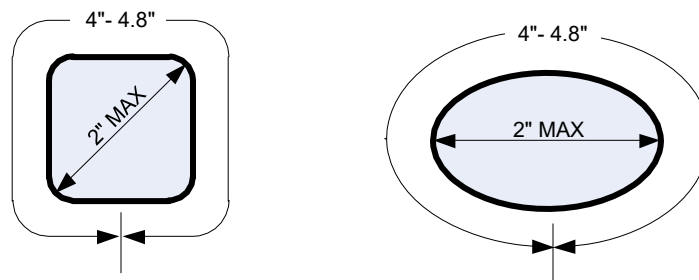


FIGURE 11B-609.2.2
GRAB BAR NON-CIRCULAR CROSS SECTION

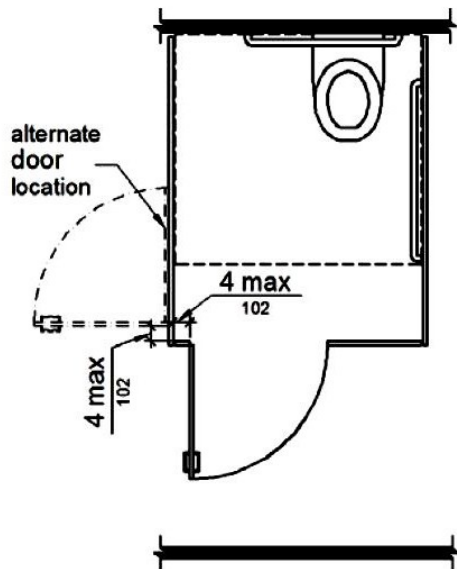


FIGURE 11B-604.8.1.2
WHEELCHAIR ACCESSIBLE TOILET COMPARTMENT DOORS

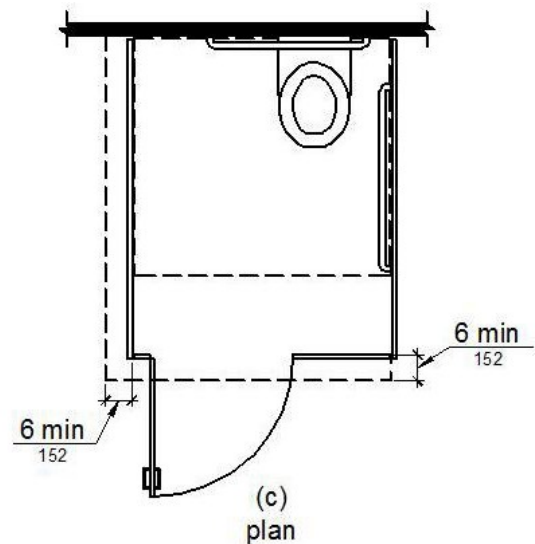


FIGURE 11B-604.8.1.4
WHEELCHAIR ACCESSIBLE TOILET COMPARTMENT TOE CLEARANCE

THESE DIAGRAMS ILLUSTRATE THE SPECIFIC REQUIREMENTS OF THESE REGULATIONS AND ARE INTENDED ONLY AS AN AID FOR BUILDING DESIGN AND CONSTRUCTION.

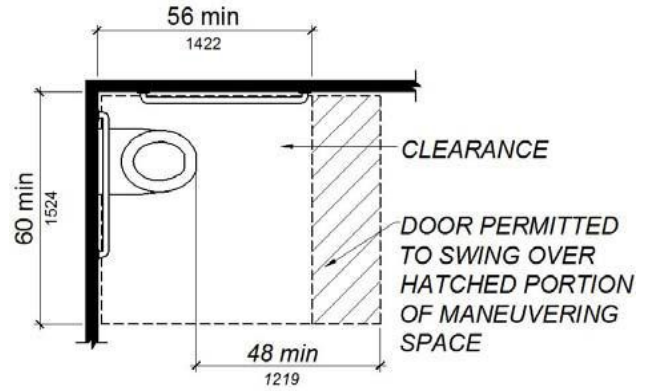
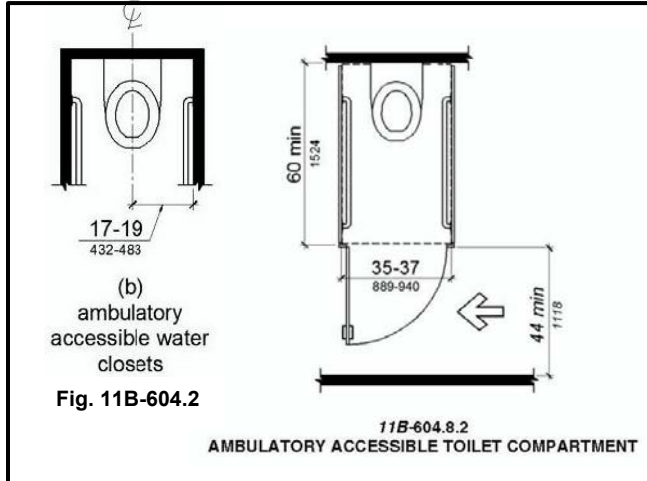


FIGURE 11B-604.3.1 - SIZE OF CLEARANCE AT WATER CLOSETS

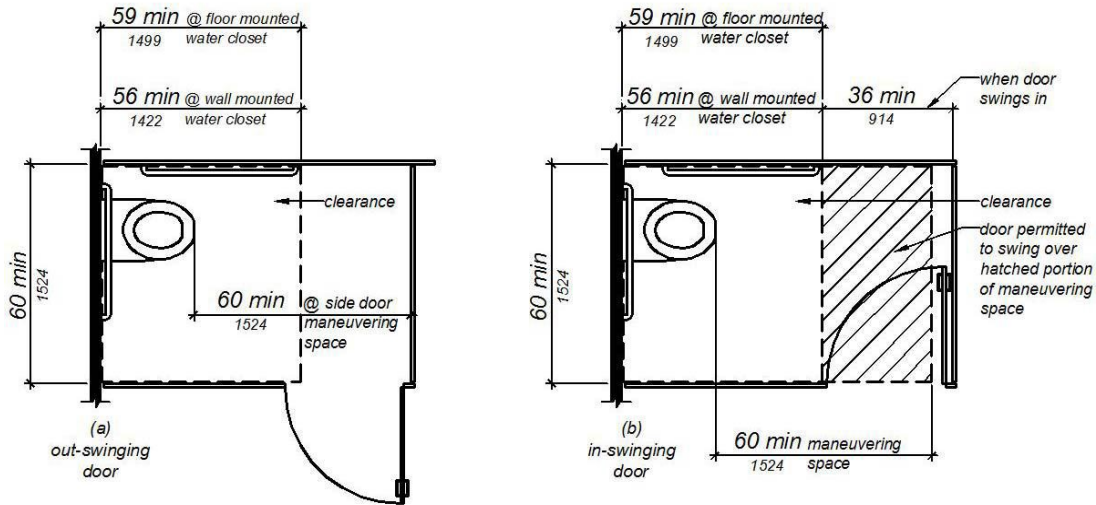


FIGURE 11B-604.8.1.1.2 - MANEUVERING SPACE WITH SIDE-OPENING DOOR

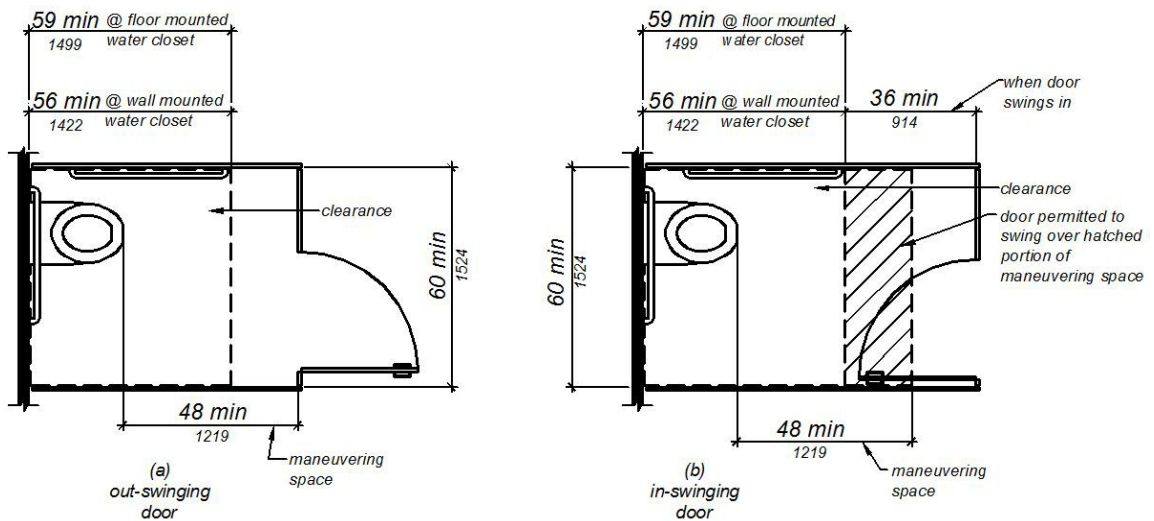


FIGURE 11B-604.8.1.1.3 - MANEUVERING SPACE WITH END-OPENING DOOR

As a covered entity under Title II of the Americans with Disabilities Act, the City of Los Angeles does not discriminate on the basis of disability and, upon request, will provide reasonable accommodation to ensure equal access to its programs, services and activities.

SINK / URINAL

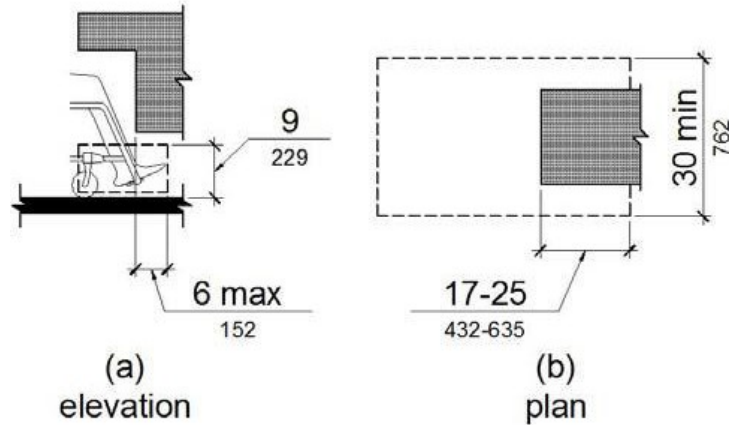


FIGURE 11B-306.2 - TOE CLEARANCE

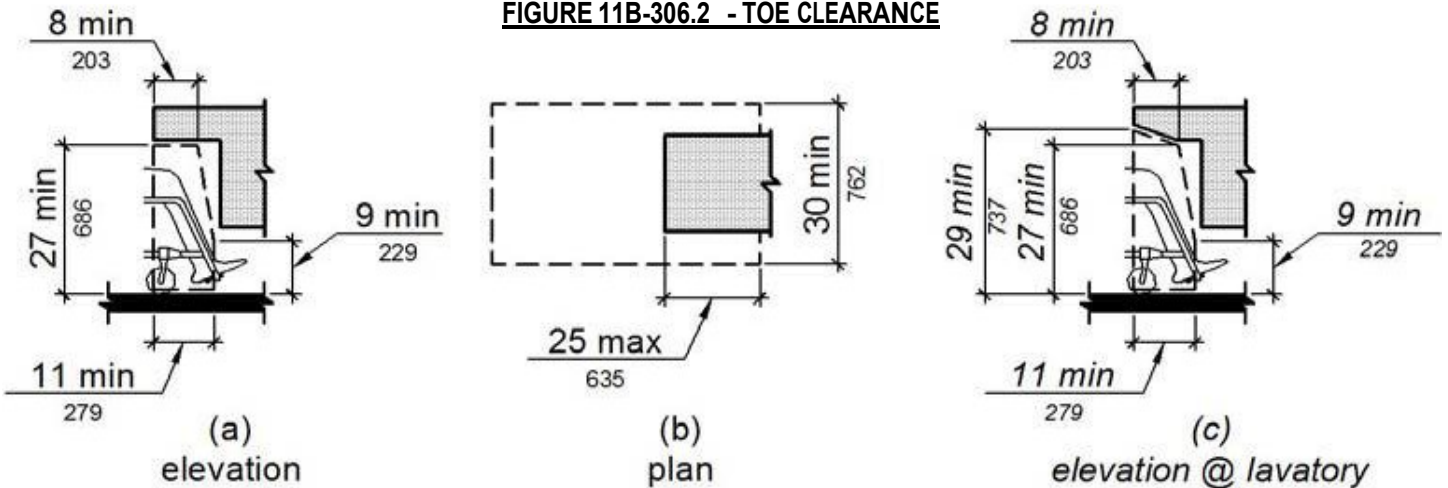


FIGURE 11B-306.3 - KNEE CLEARANCE

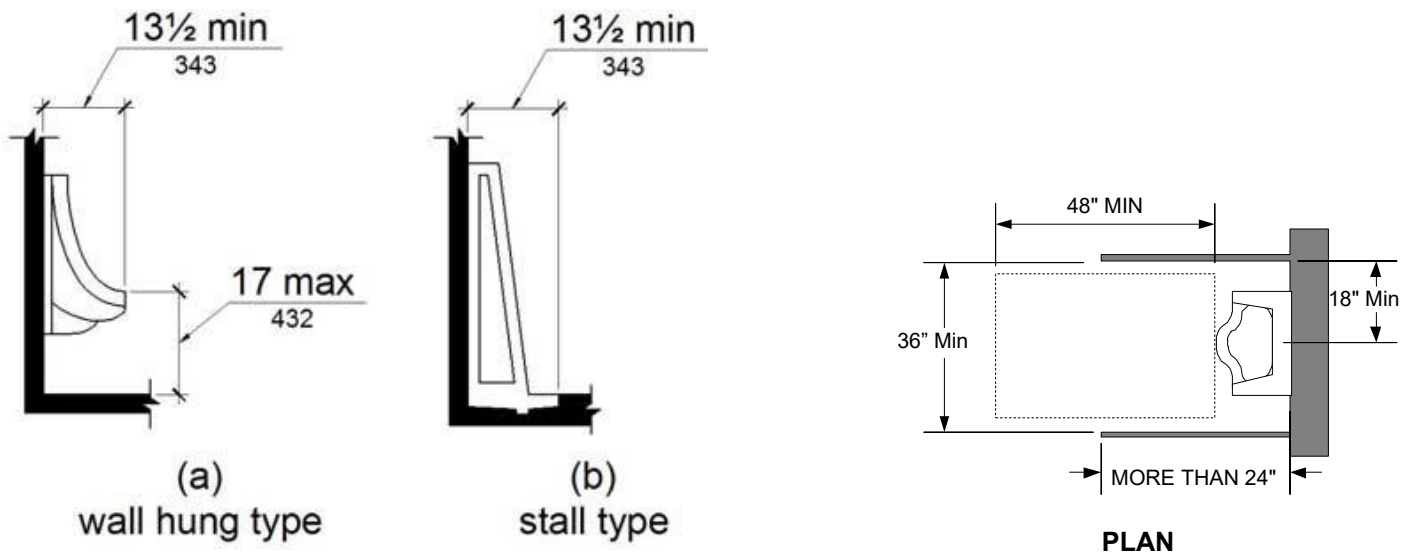
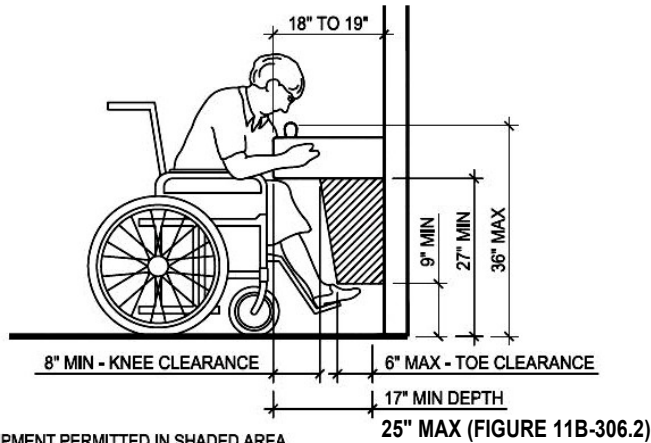


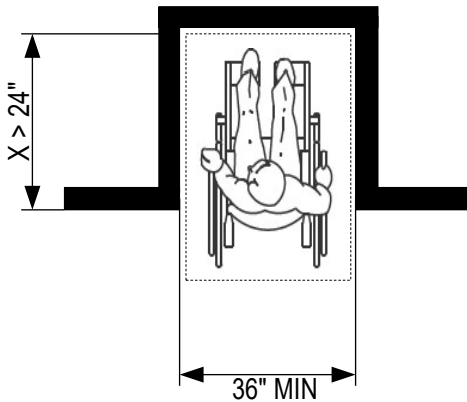
FIGURE 11B-605.2 - HEIGHT AND DEPTH OF URINALS

DRINKING FOUNTAINS



* EQUIPMENT PERMITTED IN SHADED AREA

SPOUT HEIGHT AND KNEE CLEARANCE AT DRINKING FOUNTAINS



**FIGURE 11B-305.7.1
 MANEUVERING CLEARANCE IN AN
 ALCOVE, FORWARD APPROACH**

11B-602.6 WATER FLOW.

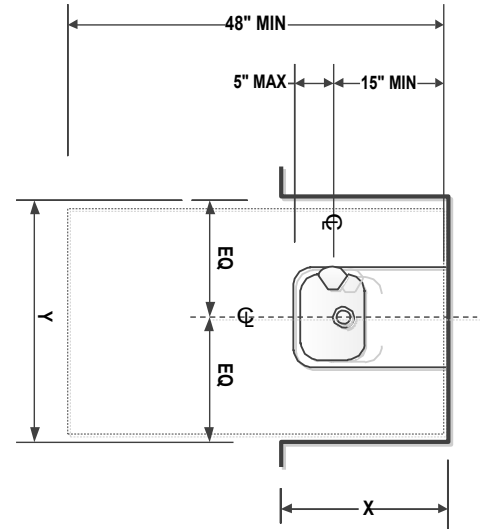
THE SPOUT SHALL PROVIDE A FLOW OF WATER 4 INCHES HIGH MINIMUM AND SHALL BE LOCATED 5 INCHES MAXIMUM FROM THE FRONT OF THE UNIT. THE ANGLE OF THE WATER STREAM SHALL BE MEASURED HORIZONTALLY RELATIVE TO THE FRONT FACE OF THE UNIT. WHERE SPOUTS ARE LOCATED LESS THAN 3 INCHES OF THE FRONT OF THE UNIT, THE ANGLE OF THE WATER STREAM SHALL BE 30 DEGREES MAXIMUM. WHERE SPOUTS ARE LOCATED BETWEEN 3 INCHES AND 5 INCHES MAXIMUM FROM THE FRONT OF THE UNIT, THE ANGLE OF THE WATER STREAM SHALL BE 15 DEGREES MAXIMUM.

11B-602.7 DRINKING FOUNTAINS FOR STANDING PERSONS.

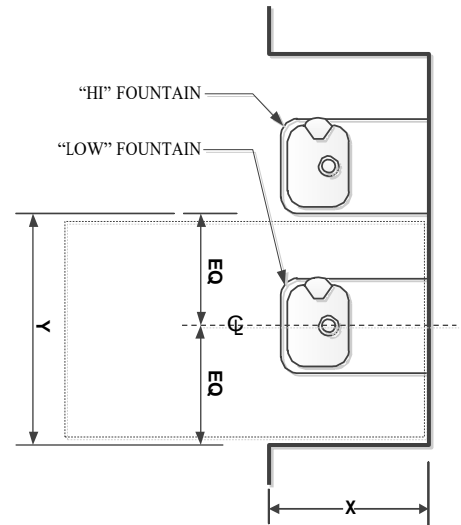
SPOUT OUTLETS OF DRINKING FOUNTAINS FOR STANDING PERSONS SHALL BE 38 INCHES MINIMUM AND 43 INCHES MAXIMUM ABOVE THE FINISH FLOOR OR GROUND.

11B-602.9 PEDESTRIAN PROTECTION.

ALL DRINKING FOUNTAINS SHALL EITHER BE LOCATED COMPLETELY WITHIN ALCOVES, POSITIONED COMPLETELY BETWEEN WING WALLS, OR OTHERWISE POSITIONED SO AS NOT TO ENCROACH INTO PEDESTRIAN WAYS. THE PROTECTED AREA WITHIN WHICH A DRINKING FOUNTAIN IS LOCATED SHALL BE 32 INCHES WIDE MINIMUM AND 18 INCHES DEEP MINIMUM, AND SHALL COMPLY WITH SECTION 11B-305.7. WHEN USED, WING WALLS OR BARRIERS SHALL PROJECT HORIZONTALLY AT LEAST AS FAR AS THE DRINKING FOUNTAIN AND TO WITHIN 6 INCHES VERTICALLY FROM THE FLOOR OR GROUND SURFACE.



**DRINKING FOUNTAIN SPOUT LOCATION
 FIGURE 11B-602.5**



PLAN OF "HI-LOW" DRINKING FOUNTAIN

NOTE:

IF X = 18" MIN. ALCOVE DEPTH, THEN Y = 32" MIN.
 IF ALCOVE DEPTH (X) IS GREATER THAN 24", THEN ALCOVE WIDTH (Y) MUST BE MINIMUM OF 36" CLEAR.

**CLEAR FLOOR SPACE
 AT "HI-LOW" DRINKING FOUNTAIN ALCOVES**