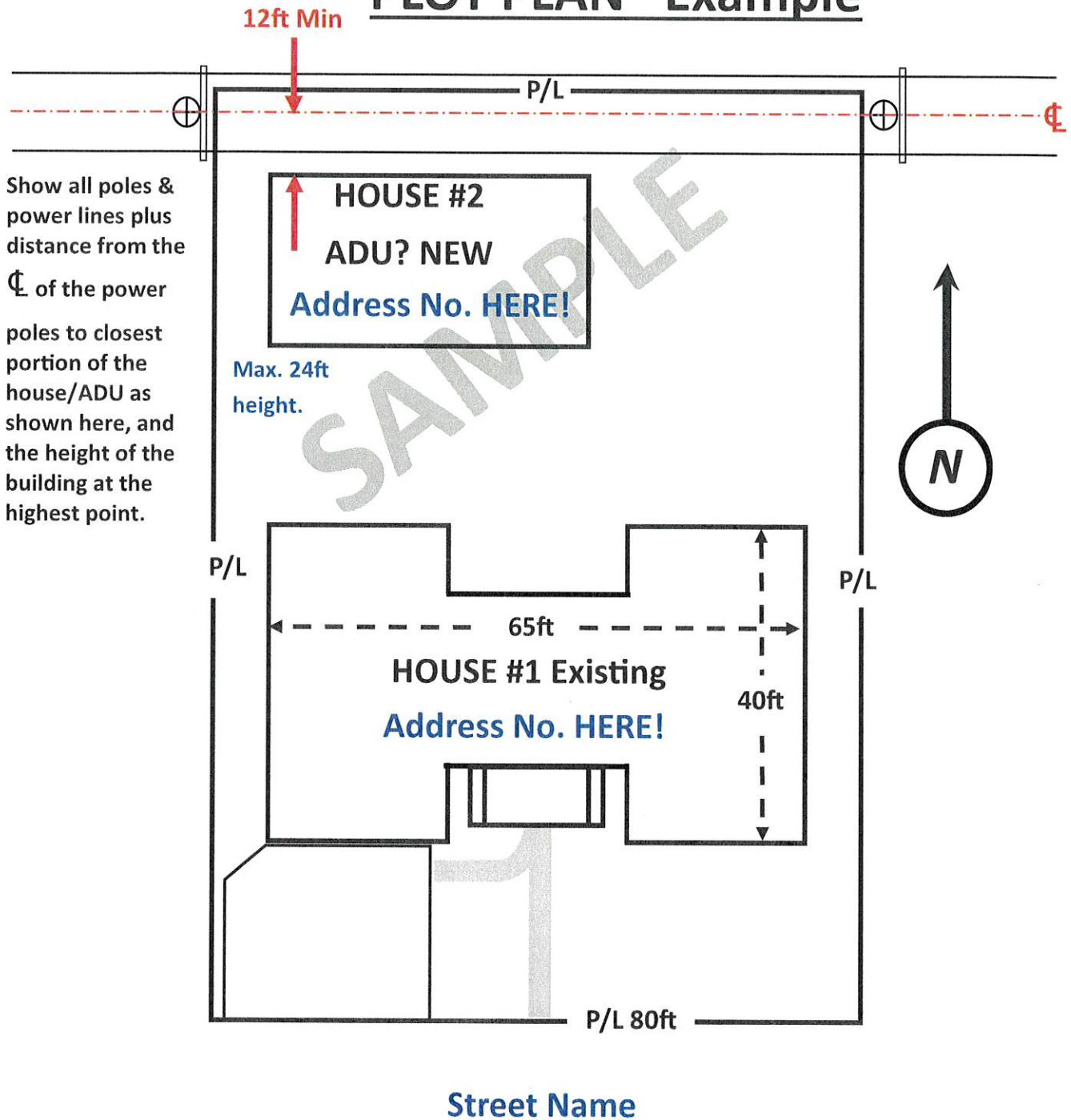


# PLOT PLAN Example



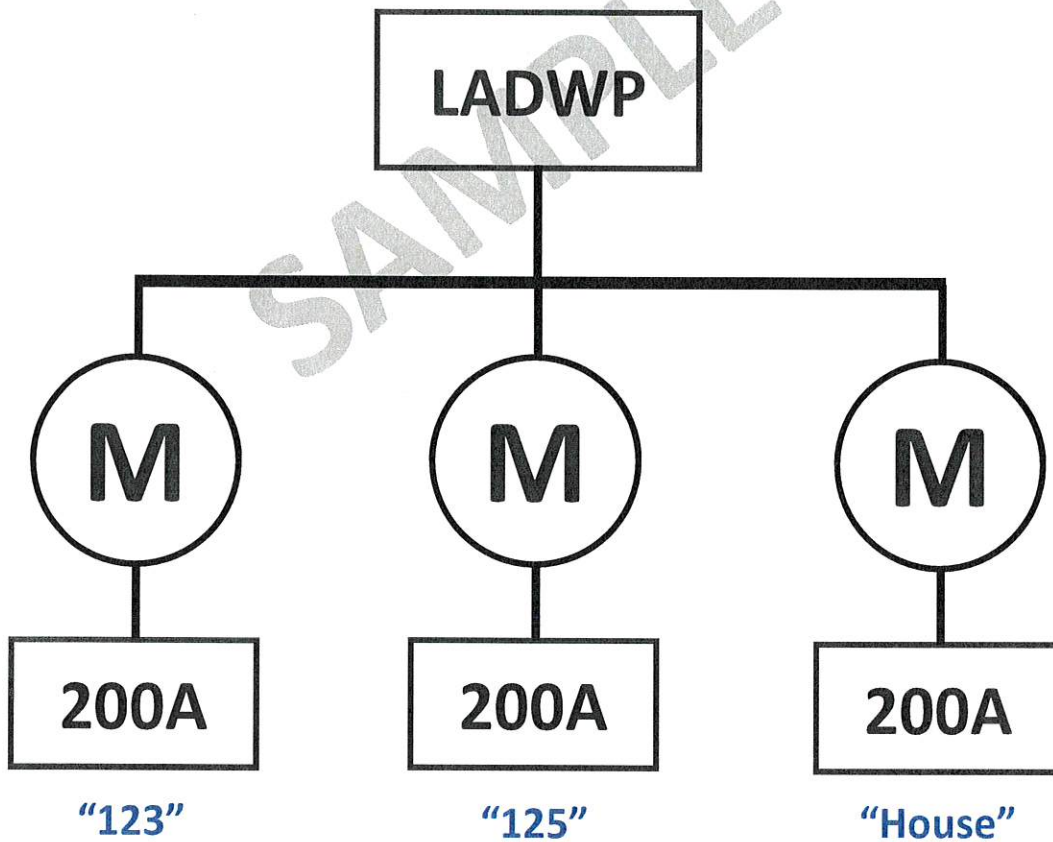
Show all poles & power lines plus distance from the ⊕ of the power poles to closest portion of the house/ADU as shown here, and the height of the building at the highest point.

Please follow these instructions...

**PLOT PLAN MUST INCLUDE ALL ADDRESSES AND BUILDINGS LOCATED AT THE PROPERTY ALSO INDICATE IF THEY ARE NEW OR EXISTING**

# SINGLE LINE DIAGRAM Example

For 123 & 125 Elm St.



NEED VOLTAGE CLASS, PHASE, No. of WIRES, & AMPACITY

EXAMPLES: 120/208 Volts, 3 $\emptyset$ , 4 Wire, 600 Amps

120/240 Volts, 1 $\emptyset$ , 3 Wire, 200 Amps